

## Semi-Split Shaft Collars

Steel / Stainless Steel / Aluminum

### SPECIFICATION

#### Version in Steel ST

Sintered (Distaloy AB)  
Black oxidised with vapor  
Socket cap screw DIN 912  
Steel, plain

#### Version in Stainless steel NI

Sintered AISI 316 LHC  
Socket cap screw DIN 912-A2

#### Version in Stainless steel A4

Turned AISI 316  
Weldable  
Socket cap screw DIN 912-A4

#### Version in Aluminum AL

Turned, tumbled  
Socket cap screw DIN 912-A2



### INFORMATION

Semi-split shaft collars GN 706.2 can safely and simply be assembled by reducing the slot height with high clamping force and thus they act, for instance, like an end stop. The surface of the shaft or the axle is not damaged.

The thread  $d_3$  for sizes  $d_1 = 16$  to  $36$  is designed as a through hole; for sizes  $d_1 = 42$  and larger, it is designed as blind hole.

- List of Shaft Collar Types (see page )

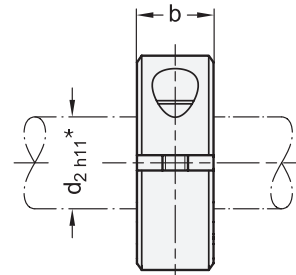
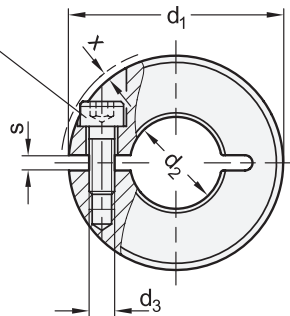
### ACCESSORY

- Damping Washers GN 7062.30 (see page )

### TECHNICAL INFORMATION

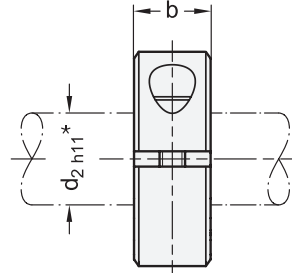
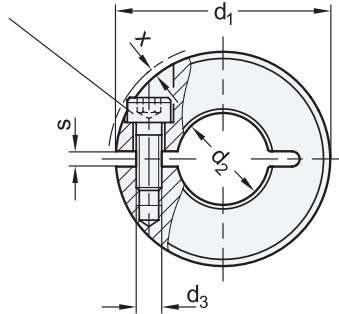
- ISO-Fundamental Tolerances (see page A21)  
- Stainless Steel Characteristics (see page A26)

Socket cap screw  
DIN 912



\* recommended diameter tolerance

Socket cap screw  
DIN 912



\* recommended diameter tolerance

### GN 706.2-ST

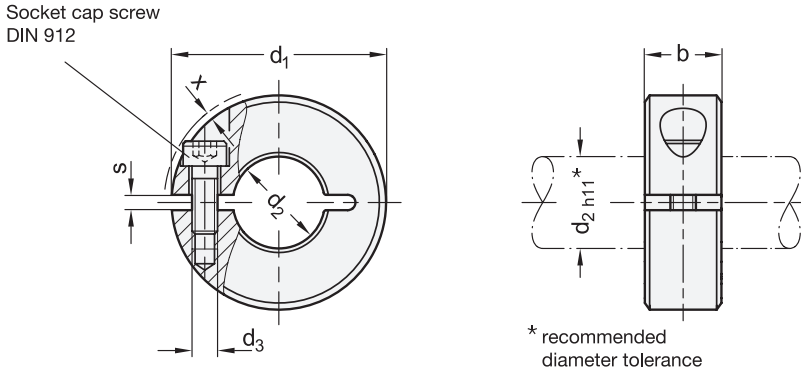
Description	d <sub>1</sub>	d <sub>2</sub> H10	b ±0.2	d <sub>3</sub>	s	x ≈ * Max. protrusion of cap screw	⚖
GN 706.2-16-B4-ST	16	B 4	9	M 3	2.1	1.2	10
GN 706.2-16-B5-ST	16	B 5	9	M 3	2.1	1.2	10
GN 706.2-20-B6-ST	20	B 6	9	M 3	2.1	1.2	20
GN 706.2-22-B8-ST	22	B 8	9	M 3	2.1	1	18
GN 706.2-26-B10-ST	26	B 10	11	M 4	2.1	1.6	32
GN 706.2-30-B12-ST	30	B 12	11	M 4	2.1	0.7	41
GN 706.2-32-B14-ST	32	B 14	11	M 4	2.1	0.7	40
GN 706.2-36-B15-ST	36	B 15	13	M 5	2.1	1.4	70
GN 706.2-36-B16-ST	36	B 16	13	M 5	2.1	1.4	68
GN 706.2-42-B18-ST	42	B 18	15	M 5	3	0.6	109
GN 706.2-42-B20-ST	42	B 20	15	M 5	3	0.6	105
GN 706.2-48-B22-ST	48	B 22	15	M 5	3	0	139
GN 706.2-48-B25-ST	48	B 25	15	M 5	3	0	126
GN 706.2-55-B28-ST	55	B 28	15	M 6	3	0.5	171
GN 706.2-55-B30-ST	55	B 30	15	M 6	3	0.5	162
GN 706.2-60-B32-ST	60	B 32	15	M 6	4	0.4	196
GN 706.2-60-B35-ST	60	B 35	15	M 6	4	0.4	178
GN 706.2-65-B40-ST	65	B 40	15	M 6	4	0.5	199

### GN 706.2-AL

Description	d <sub>1</sub>	d <sub>2</sub> H10	b ±0.2	d <sub>3</sub>	s	x ≈ * Max. protrusion of cap screw	⚖
GN 706.2-20-B6-AL	20	B 6	9	M 3	2.1	1.2	8
GN 706.2-22-B8-AL	22	B 8	9	M 3	2.1	1	9
GN 706.2-26-B10-AL	26	B 10	11	M 4	2.1	1.6	14
GN 706.2-30-B12-AL	30	B 12	11	M 4	2.1	0.7	18
GN 706.2-32-B14-AL	32	B 14	11	M 4	2.1	0.7	20
GN 706.2-36-B15-AL	36	B 15	13	M 5	2.1	1.4	31
GN 706.2-36-B16-AL	36	B 16	13	M 5	2.1	1.4	30
GN 706.2-42-B18-AL	42	B 18	15	M 5	3	0.6	45
GN 706.2-42-B20-AL	42	B 20	15	M 5	3	0.6	43
GN 706.2-48-B22-AL	48	B 22	15	M 5	3	0	57
GN 706.2-48-B25-AL	48	B 25	15	M 5	3	0	53
GN 706.2-55-B28-AL	55	B 28	15	M 6	3	0.5	71
GN 706.2-55-B30-AL	55	B 30	15	M 6	3	0.5	68
GN 706.2-60-B32-AL	60	B 32	15	M 6	4	0.4	82
GN 706.2-60-B35-AL	60	B 35	15	M 6	4	0.4	76
GN 706.2-65-B40-AL	65	B 40	15	M 6	4	0.5	83



Machine elements



GN 706.2-A4

STAINLESS STEEL

Description	d <sub>1</sub>	d <sub>2</sub> E8	b ±0.2	d <sub>3</sub>	s	x ≈ Max. protrusion	⚖
GN 706.2-20-B6-A4	20	B 6	9	M 3	1.6	1.2	19
GN 706.2-22-B8-A4	22	B 8	9	M 3	1.6	1	24
GN 706.2-26-B10-A4	26	B 10	11	M 4	1.6	1.6	37
GN 706.2-30-B12-A4	30	B 12	11	M 4	1.6	0.7	40
GN 706.2-32-B14-A4	32	B 14	11	M 4	1.6	0.7	52
GN 706.2-36-B15-A4	36	B 15	13	M 5	1.6	1.4	82
GN 706.2-36-B16-A4	36	B 16	13	M 5	1.6	1.4	78
GN 706.2-42-B18-A4	42	B 18	15	M 5	1.6	0.6	126
GN 706.2-42-B20-A4	42	B 20	15	M 5	1.6	0.6	119
GN 706.2-48-B22-A4	48	B 22	15	M 5	1.6	0	160
GN 706.2-48-B25-A4	48	B 25	15	M 5	1.6	0	147
GN 706.2-55-B28-A4	55	B 28	15	M 6	1.6	0.5	197
GN 706.2-55-B30-A4	55	B 30	15	M 6	1.6	0.5	185
GN 706.2-60-B32-A4	60	B 32	15	M 6	1.6	0.4	226
GN 706.2-60-B35-A4	60	B 35	15	M 6	1.6	0.4	207
GN 706.2-65-B40-A4	65	B 40	15	M 6	1.6	0.5	230

GN 706.2-NI

STAINLESS STEEL

Description	d <sub>1</sub>	d <sub>2</sub> H10	b ±0.2	d <sub>3</sub>	s	x ≈ Max. protrusion	⚖
GN 706.2-16-B4-NI	16	B 4	9	M 3	2.1	1.2	10
GN 706.2-16-B5-NI	16	B 5	9	M 3	2.1	1.2	10
GN 706.2-20-B6-NI	20	B 6	9	M 3	2.1	1.2	18
GN 706.2-22-B8-NI	22	B 8	9	M 3	2.1	1	19
GN 706.2-26-B10-NI	26	B 10	11	M 4	2.1	1.6	33
GN 706.2-30-B12-NI	30	B 12	11	M 4	2.1	0.7	40
GN 706.2-32-B14-NI	32	B 14	11	M 4	2.1	0.7	40
GN 706.2-36-B15-NI	36	B 15	13	M 5	2.1	1.4	73
GN 706.2-36-B16-NI	36	B 16	13	M 5	2.1	1.4	66
GN 706.2-42-B18-NI	42	B 18	15	M 5	3	0.6	100
GN 706.2-42-B20-NI	42	B 20	15	M 5	3	0.6	90
GN 706.2-48-B22-NI	48	B 22	15	M 5	3	0	120
GN 706.2-48-B25-NI	48	B 25	15	M 5	3	0	120
GN 706.2-55-B28-NI	55	B 28	15	M 6	3	0.5	174
GN 706.2-55-B30-NI	55	B 30	15	M 6	3	0.5	150
GN 706.2-60-B32-NI	60	B 32	15	M 6	4	0.4	179
GN 706.2-60-B35-NI	60	B 35	15	M 6	4	0.4	160
GN 706.2-65-B40-NI	65	B 40	15	M 6	4	0.5	183

Machine elements 9